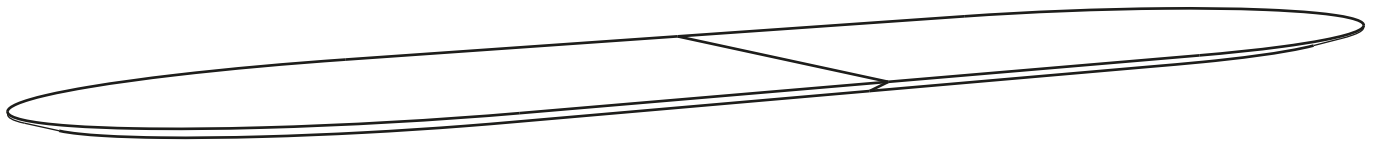


# MONOPLAUTO MAXXXI

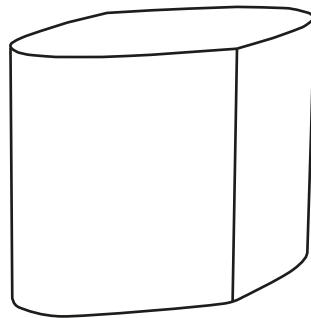
by Paolo Cappello and Simone Sabatti



15 min



2x



2x

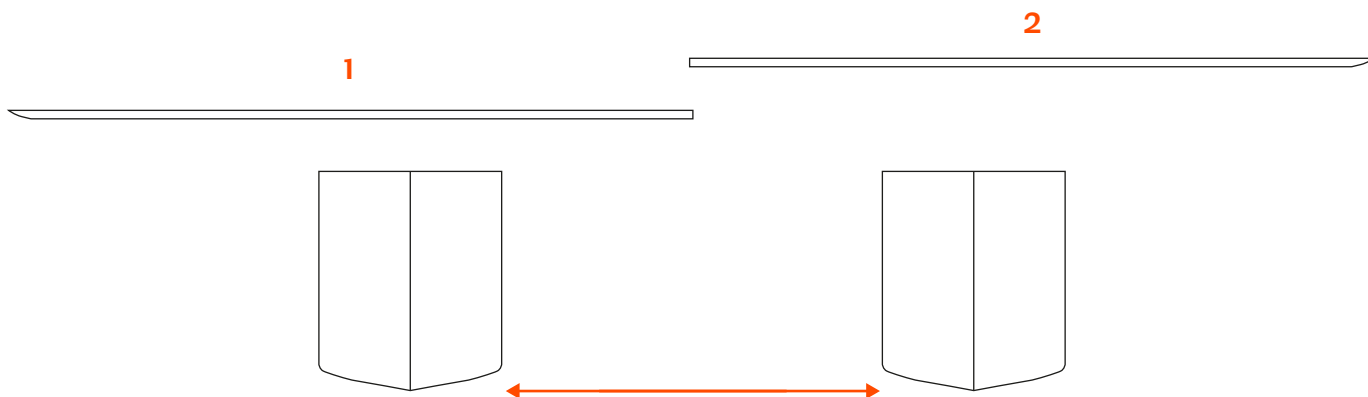


8x  
M8x25



1x  
5 mm

1



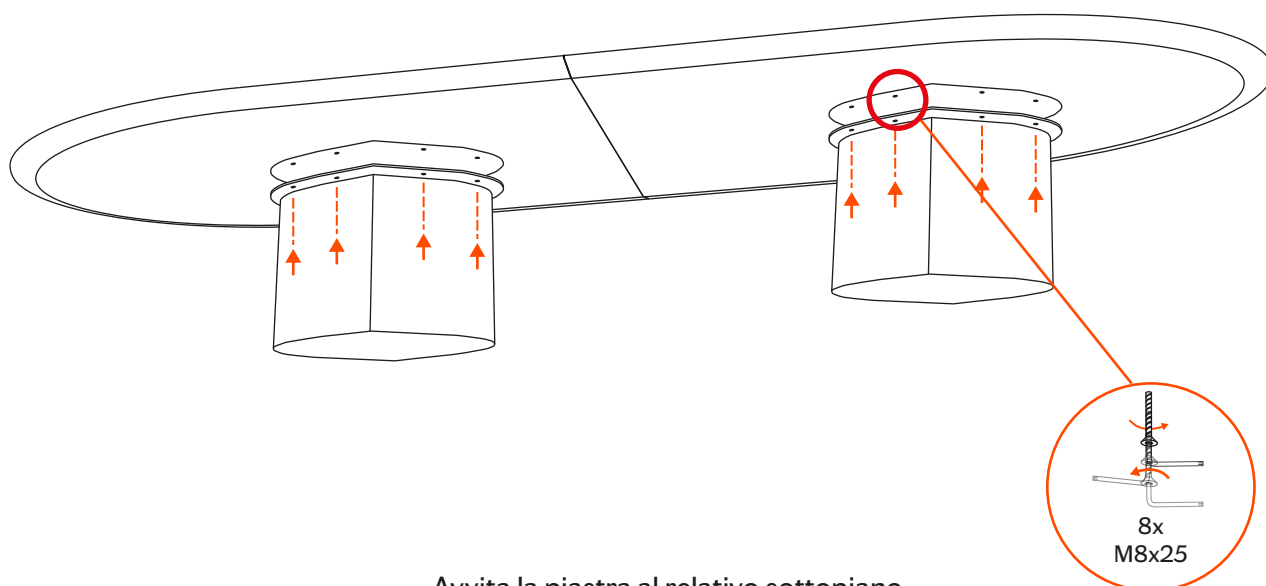
Posiziona le gambe sul pavimento secondo la distanza indicata:  
140cm (top 480cm), 180cm (top 520cm), 180cm (top 600cm).

Successivamente, appoggia un piano per volta.

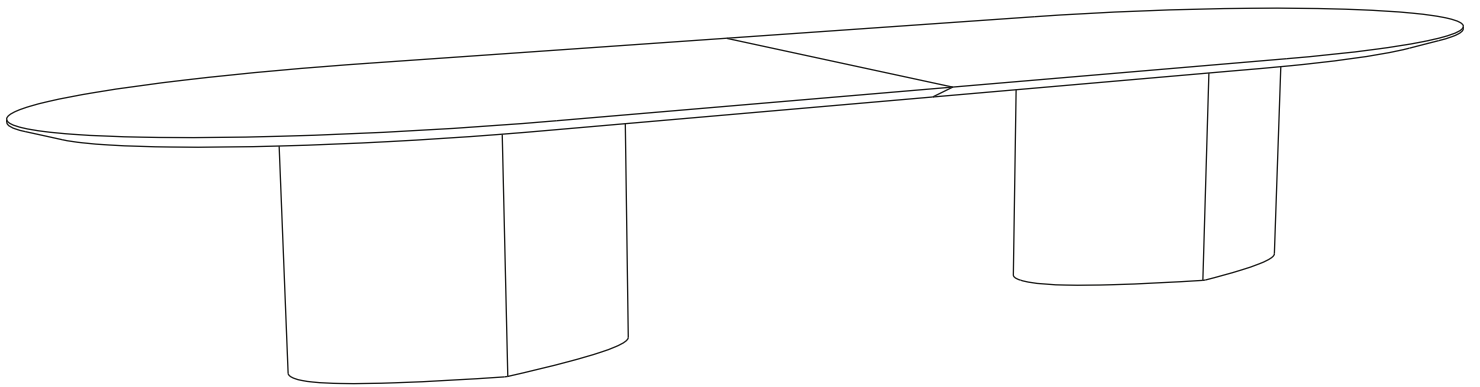
Place the legs on the floor with the following instructions:  
140cm (top 480cm), 180 (top 520cm), 180 (top 600cm).

Afterwards, place one half of the top at a time.

2



Avvita la piastra al relativo sottopiano.  
Screw the metal plate to the related undertop.



Questo oggetto è stato progettato, realizzato e raffinato in Italia. Lo abbiamo costruito attentamente, per fargli vivere anni e anni di storie domestiche.  
This piece was designed, made and refined in Italy. It was carefully built, to let it experience years and years of domestic stories.